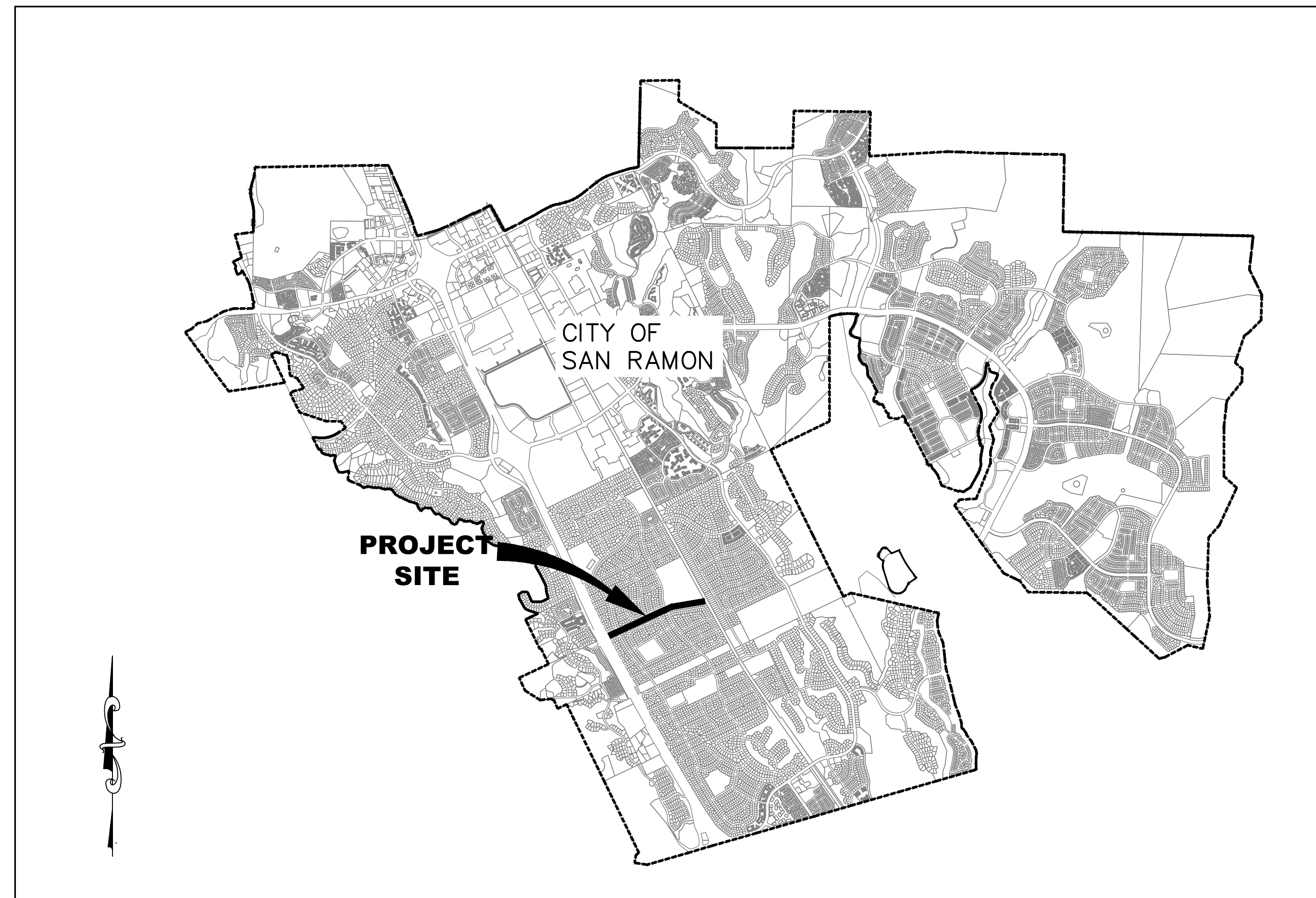




CITY OF SAN RAMON
CIP NO. 100001-A
2023 NORRIS CREEK SEDIMENT REMOVAL



LOCATION MAP
N.T.S.

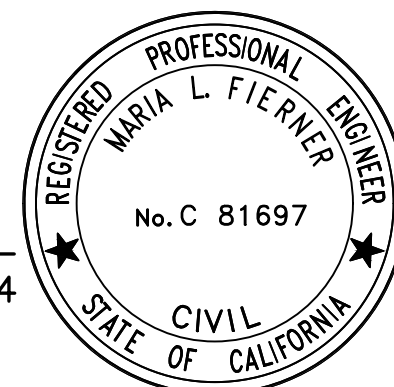
SHEET INDEX

SHEET 1	TITLE SHEET
SHEET 2	PLAN, PROFILE & TYPICAL DETAIL
SHEET 3	PLAN, PROFILE & TYPICAL DETAIL
SHEET 4	PLAN, PROFILE & TYPICAL DETAIL
SHEET 5	PLAN, PROFILE & TYPICAL DETAIL
SHEET 6	PLAN, PROFILE & TYPICAL DETAIL

PLANS APPROVED BY:

Maria L. Fierner
MARIA L. FIERNER
 DIRECTOR OF PUBLIC WORKS

DATE: **07-06-23**
 R.C.E. 81697, EXPIRES 3/31/24



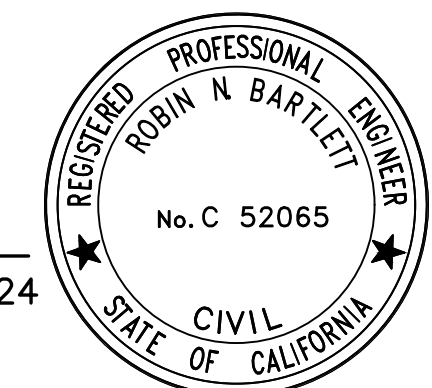
CITY MANAGER
 STEVEN SPEDOWFSKI

CITY COUNCIL MEMBERS
 DAVID E. HUDSON – MAYOR
 MARK ARMSTRONG – VICE MAYOR
 MARISOL RUBIO
 SRIDHAR VEROSE
 SCOTT PERKINS

PLANS PREPARED UNDER SUPERVISION OF:

Robin N. Bartlett
ROBIN N. BARTLETT
 DIVISION MANAGER

DATE: **7/6/23**
 R.C.E. 52065, EXPIRES 12/31/24



DESIGNED: VS/GL	NO.	REVISIONS	DATE
DRAWN: VS/GL			
APPROVED: SH/RNB			

CITY OF SAN RAMON
 ENGINEERING SERVICES DEPARTMENT
 2401 CROW CANYON ROAD
 SAN RAMON, CALIFORNIA

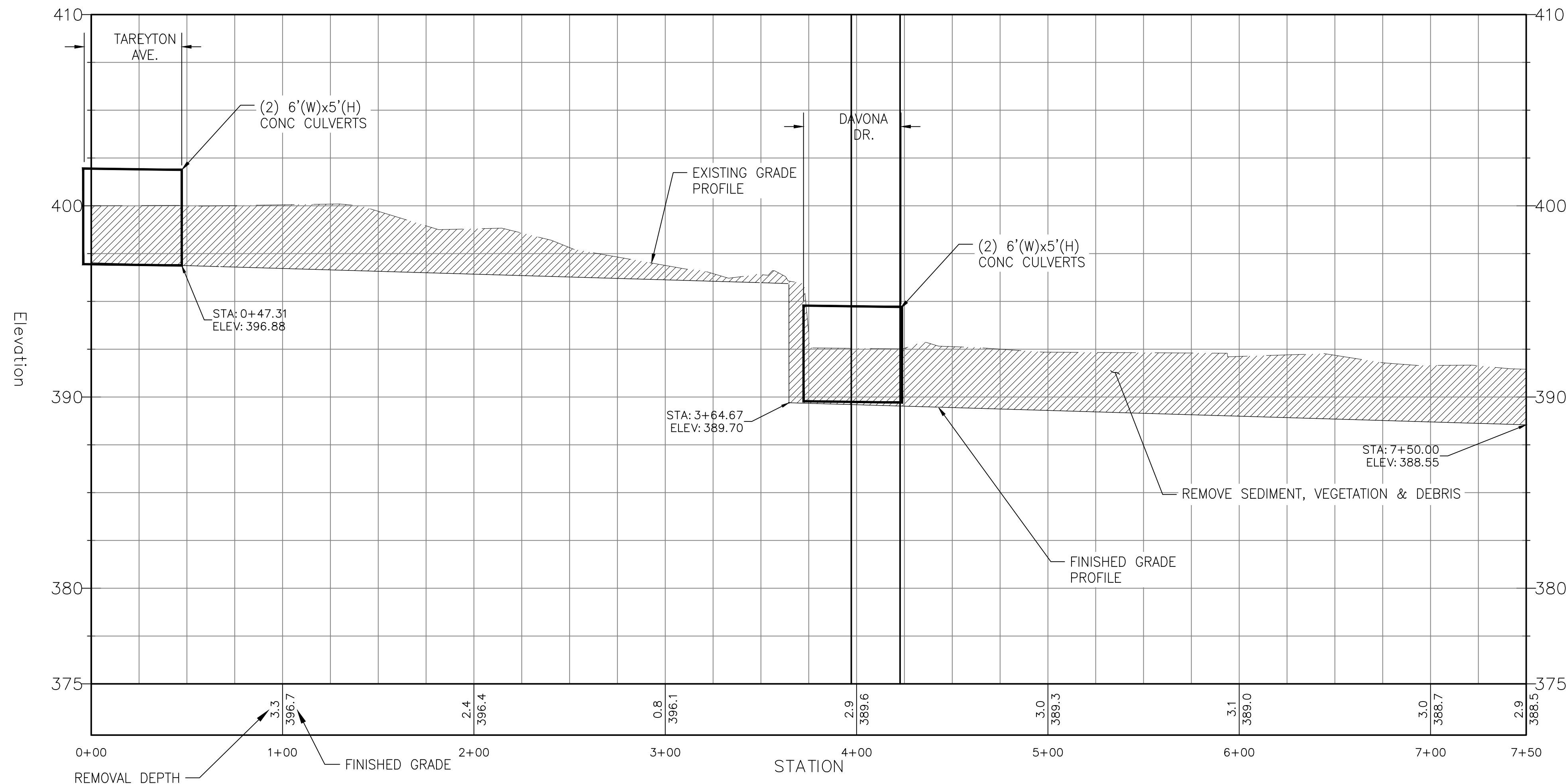
TITLE SHEET
2023 NORRIS CREEK SEDIMENT REMOVAL

SHEET
1 of 6
 DATE : 06/30/2023
 CIP# : 100001A

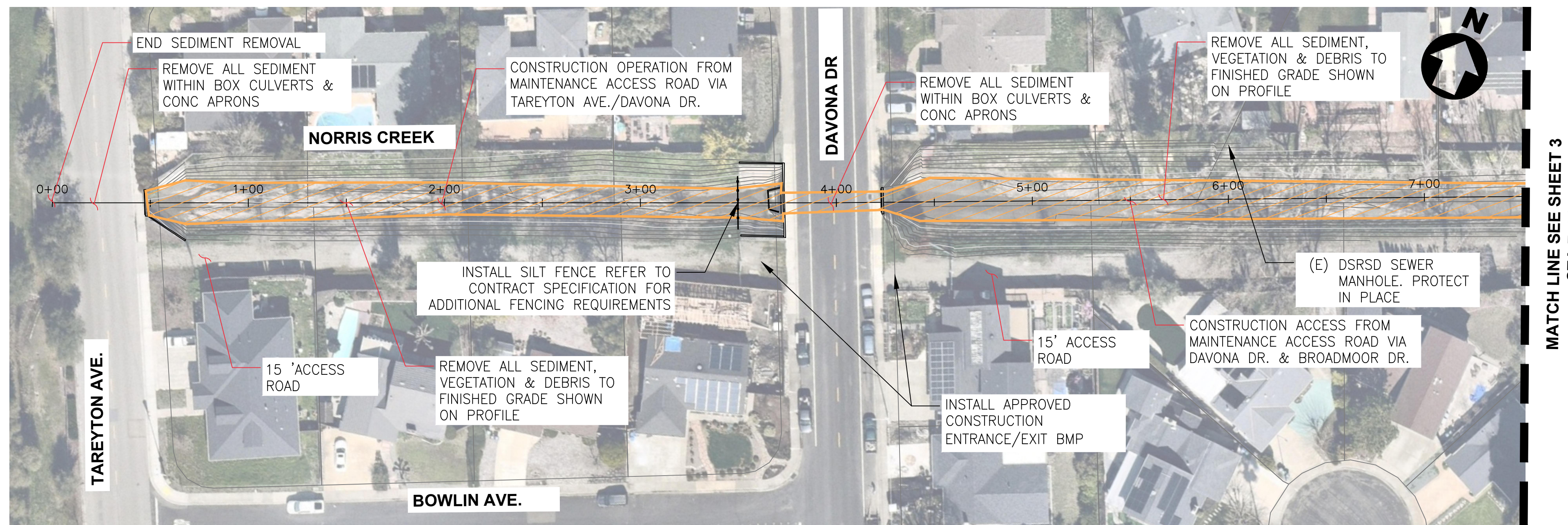
BID SET

C:\PROGRAMS\CIP\CIP 5549-Citywide Drainage\CIP 5549-O Sediment Removal\2023 Norris-SSR-CC-Z Channel\Norris Creek Sediment Removal Cover Sheet.dwg@ 10:14:35 AM

NOTES:
 PROTECT ALL EXISTING TREES, UNLESS OTHERWISE NOTED.
 PROTECT INBOARD DRAINAGE SWALE.
 ALL WORK TO BE COMPLETED IN ACCORDANCE WITH APPROVED PERMITS.

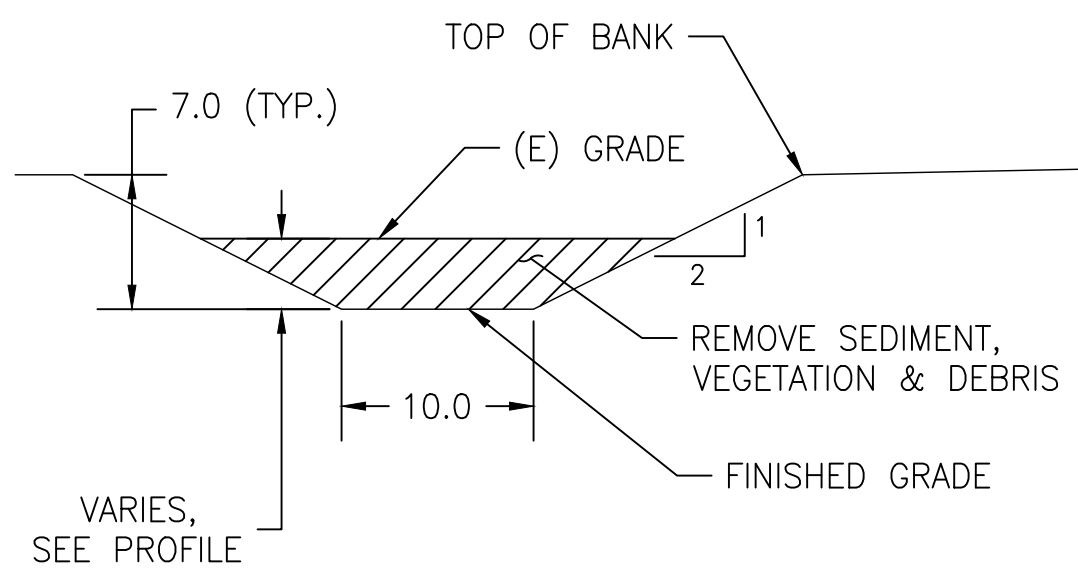


PROFILE
 SCALE: HORIZ. 1" = 40' / VERT. 1" = 5'



PLAN
 SCALE: HORIZ. 1" = 40'

TYPICAL SECTION
TAREYTON AVE - BROADMOOR DR
 SCALE: 1" = 10'

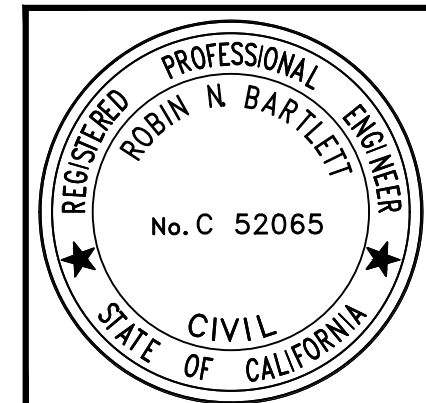


DESIGNED: VS	DATE
DRAWN: VS	REVISIONS
APPROVED: RNB	NO.

CITY OF SAN RAMON
 ENGINEERING SERVICES DEPARTMENT
 7000 BOLLINGER CANYON ROAD
 SAN RAMON, CALIFORNIA

NORRIS CREEK SEDIMENT REMOVAL
 PLAN, PROFILE & TYPICAL SECTION

TITLE:
2 of 6
 SHEET
 CIP#: 100001A

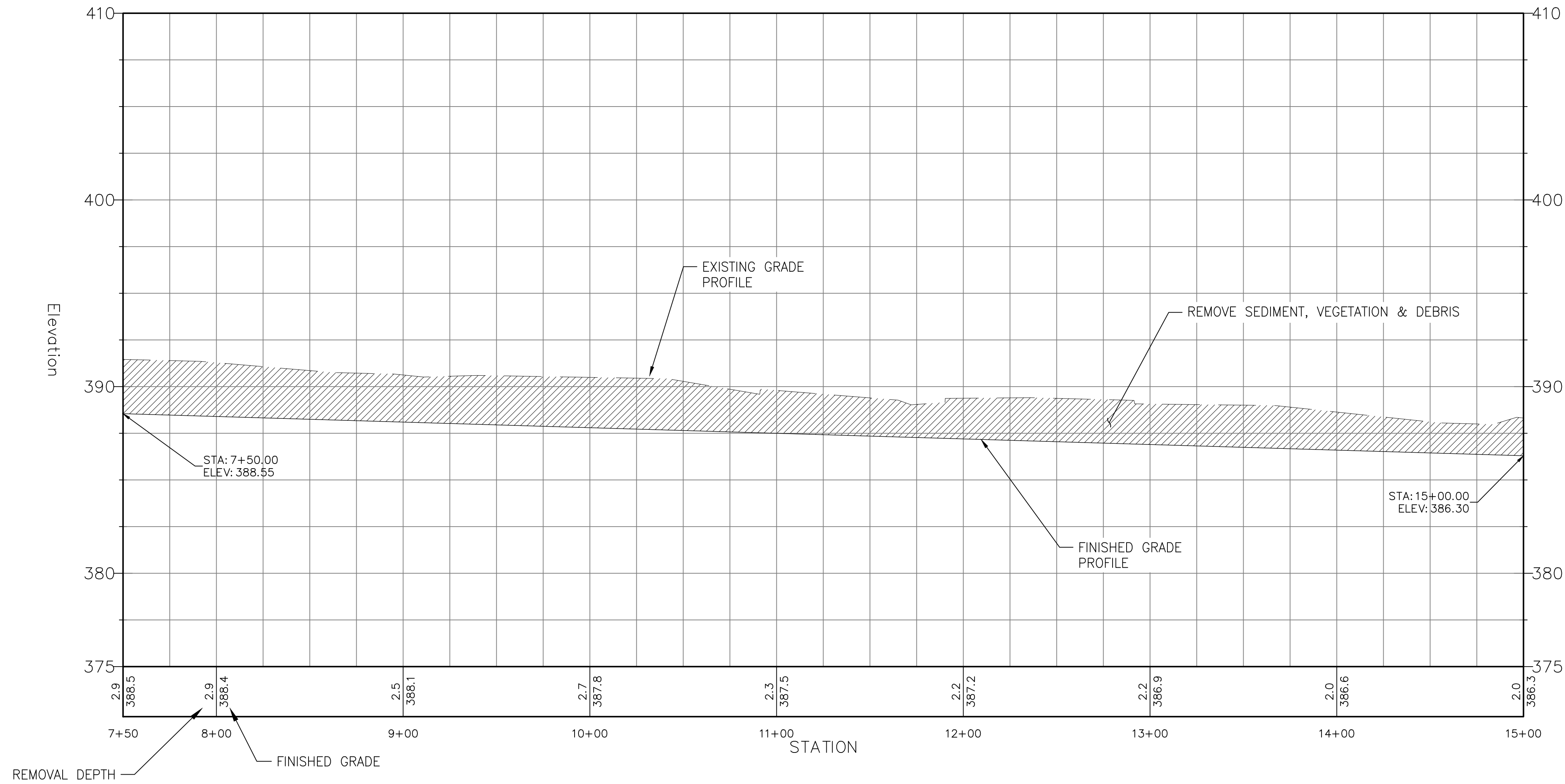


BID SET

G:\PROGRAMS\CIP\CIP 5545 Citywide Drainage Removal\2023 Norris-SSR-CC-Z Channel\Norris Creek_XSections.dwg @ 02:53:22 PM

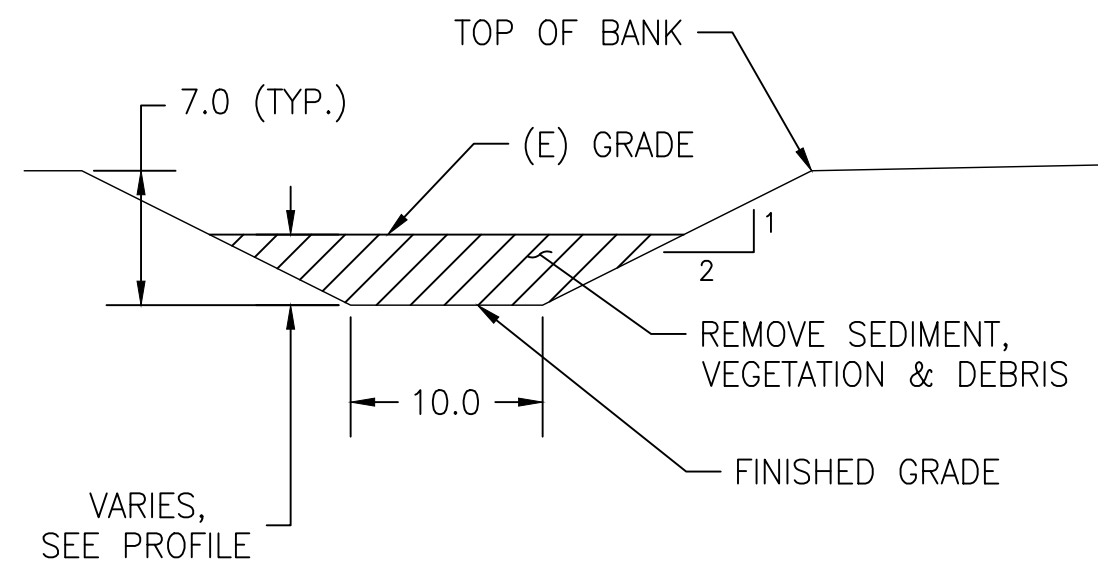
NOTES:

PROTECT ALL EXISTING TREES, UNLESS OTHERWISE NOTED.
 PROTECT INBOARD DRAINAGE SWALE.
 ALL WORK TO BE COMPLETED IN ACCORDANCE WITH APPROVED PERMITS.

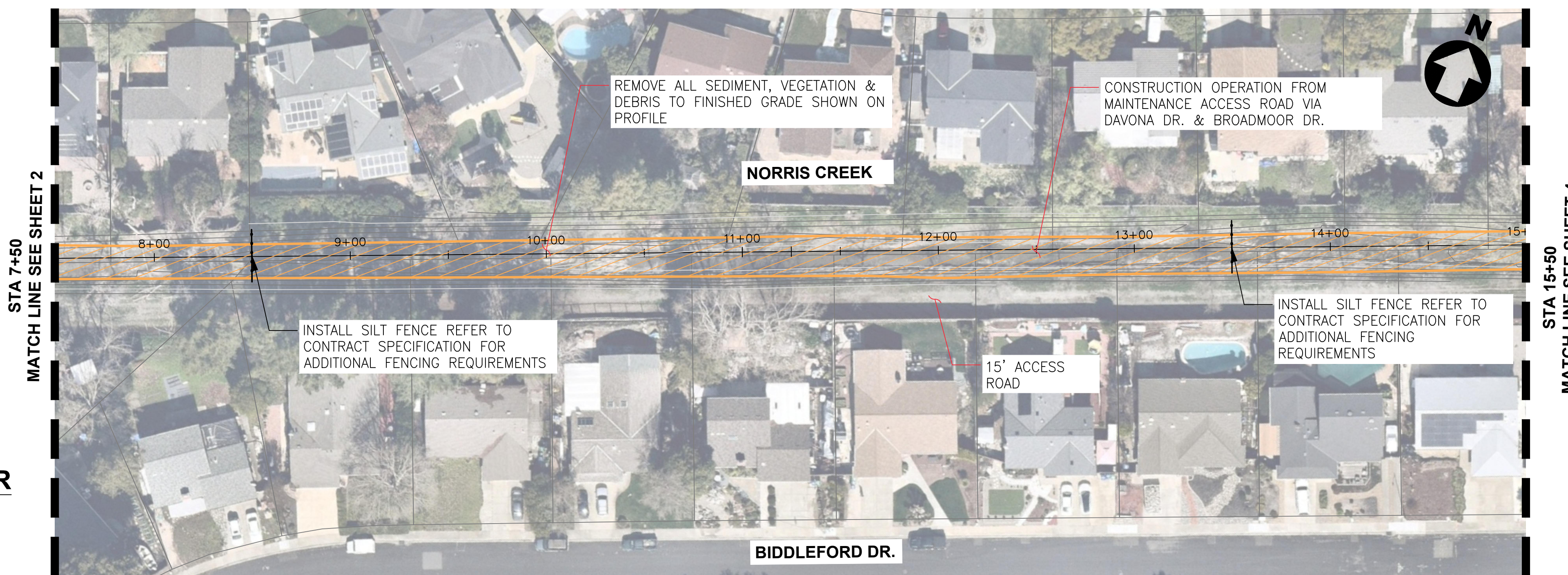


PROFILE

SCALE: HORIZ. 1" = 40' / VERT. 1" = 5'

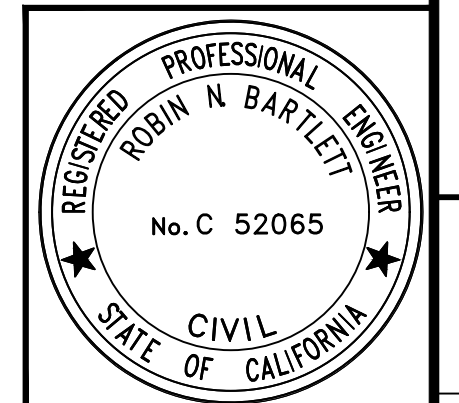


TYPICAL SECTION
TAREYTON AVE - BROADMOOR DR
 SCALE: 1" = 10'



PLAN

SCALE: HORIZ. 1" = 40'



TITLE:

SHEET

3 of 6

CIP#: 100001A

BID SET

NORRIS CREEK SEDIMENT REMOVAL
PLAN, PROFILE & TYPICAL SECTION
2023 NORRIS CREEK SEDIMENT REMOVAL

CITY OF SAN RAMON
 ENGINEERING SERVICES DEPARTMENT
 7000 BOLLINGER CANYON ROAD
 SAN RAMON, CALIFORNIA

DESIGNED: VS
 DRAWN: VS
 APPROVED: RNB

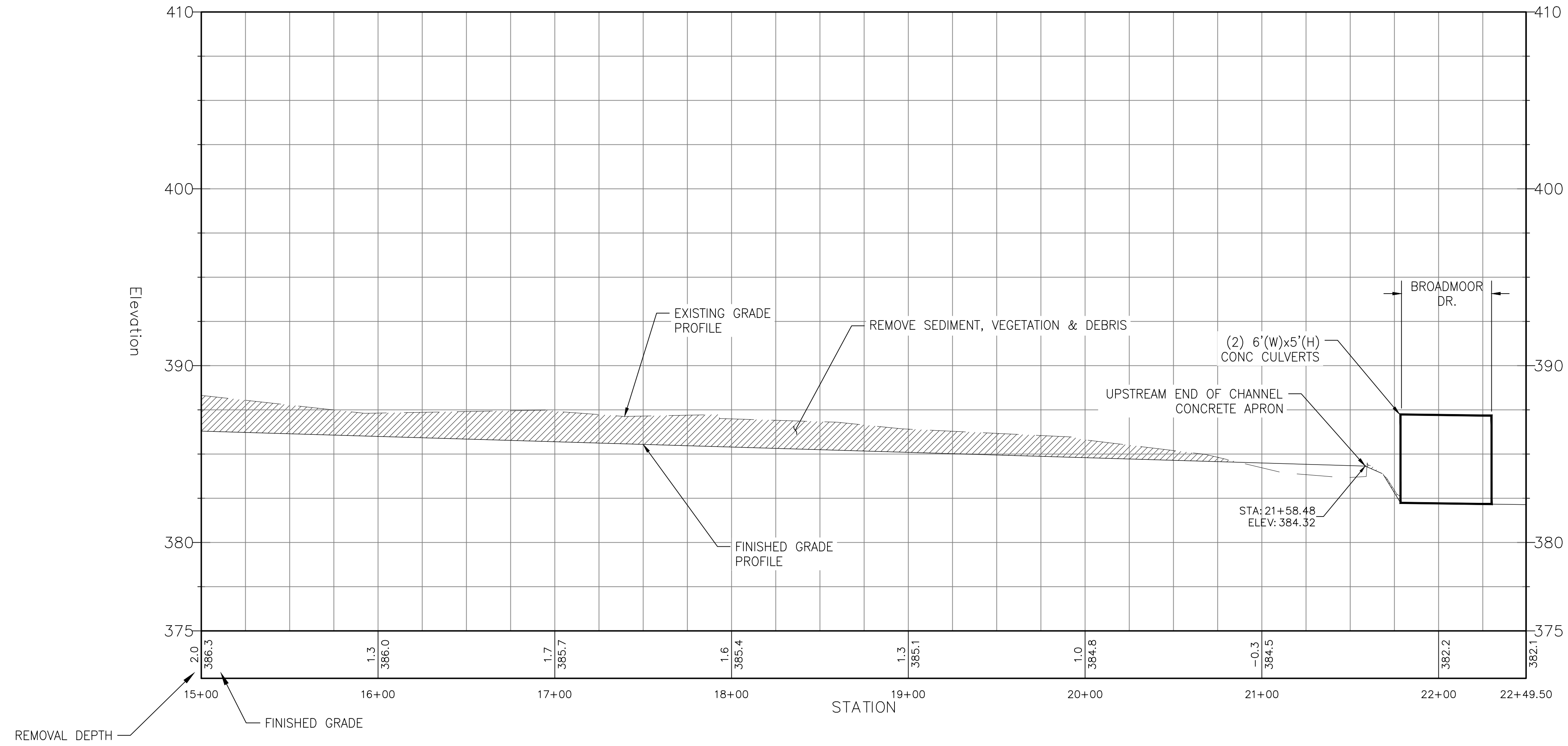
NO.

REVISIONS

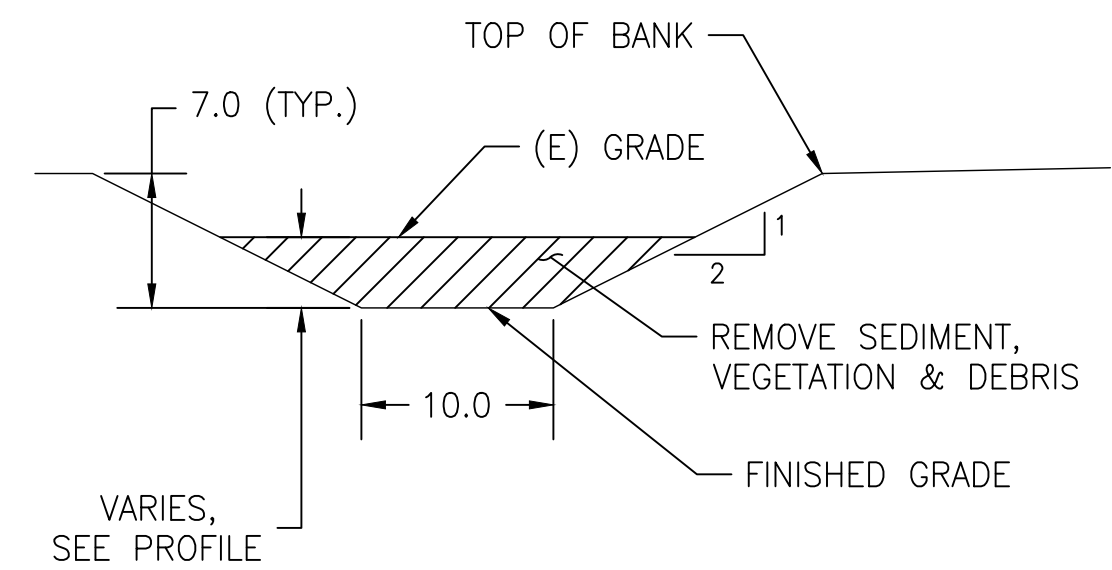
DATE

NOTES:

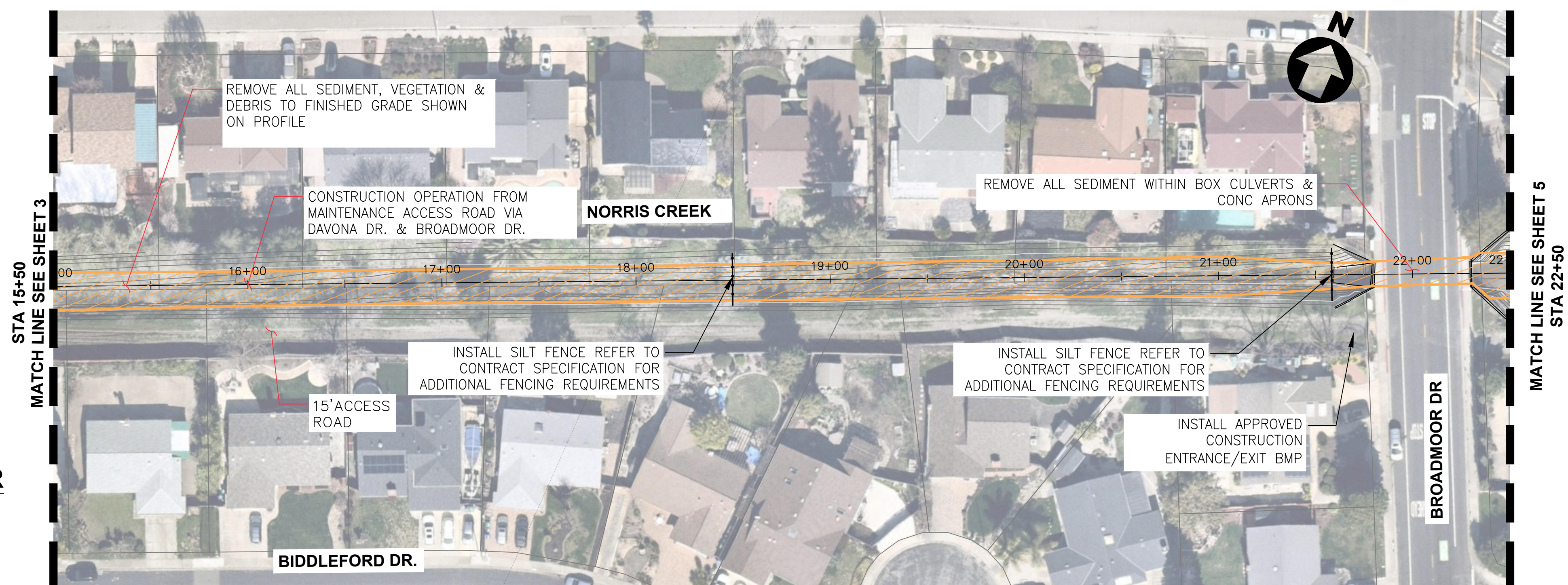
PROTECT ALL EXISTING TREES, UNLESS OTHERWISE NOTED.
 PROTECT INBOARD DRAINAGE SWALE.
 ALL WORK TO BE COMPLETED IN ACCORDANCE WITH
 APPROVED PERMITS.



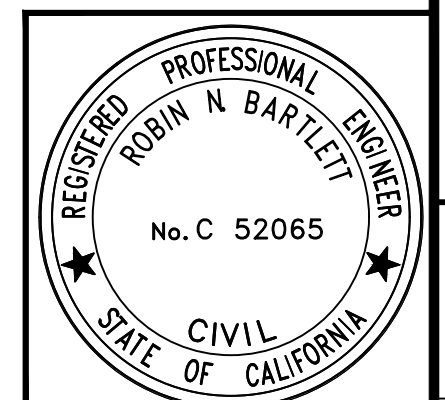
PROFILE
 SCALE: HORIZ. 1" = 40' / VERT. 1" = 5'



TYPICAL SECTION
TAREYTON AVE - BROADMOOR DR
 SCALE: 1" = 10'



PLAN
 SCALE: HORIZ. 1" = 40'



TITLE:
SHEET
 4 of 6

BID SET

CIP#: 100001A

NORRIS CREEK SEDIMENT REMOVAL
PLAN, PROFILE & TYPICAL SECTION
2023 NORRIS CREEK SEDIMENT REMOVAL

CITY OF SAN RAMON
 ENGINEERING SERVICES DEPARTMENT
 7000 BOLLINGER CANYON ROAD
 SAN RAMON, CALIFORNIA

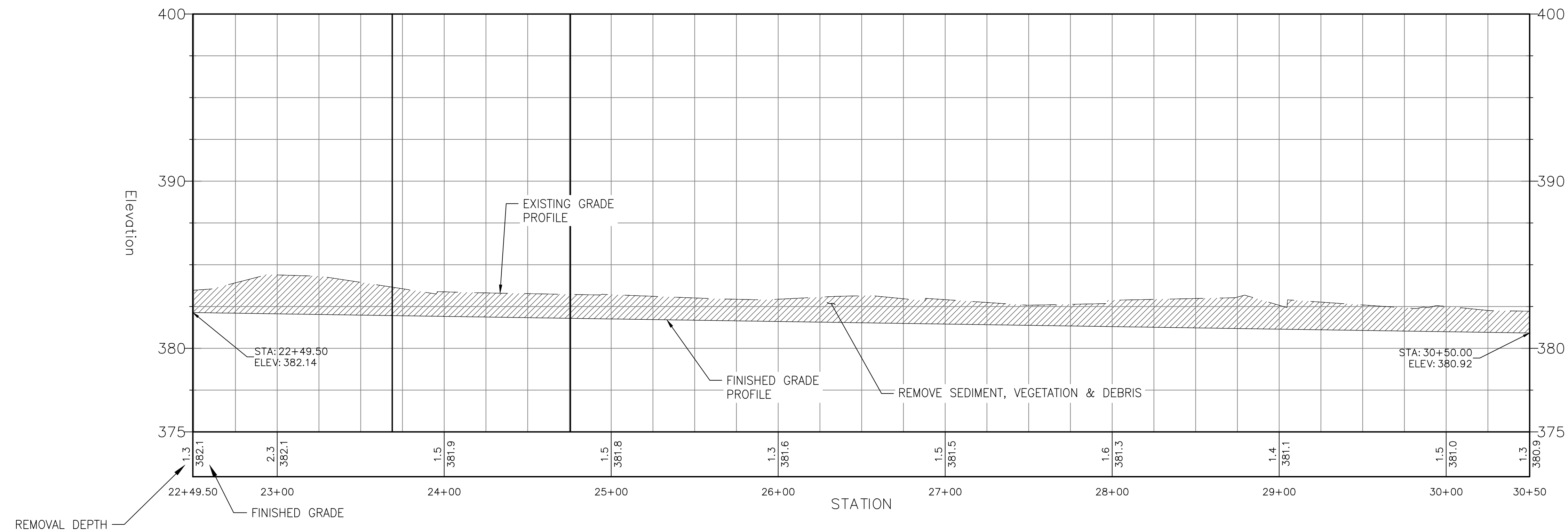
DESIGNED: VS
 DRAWN: VS
 APPROVED: RNB

NO.

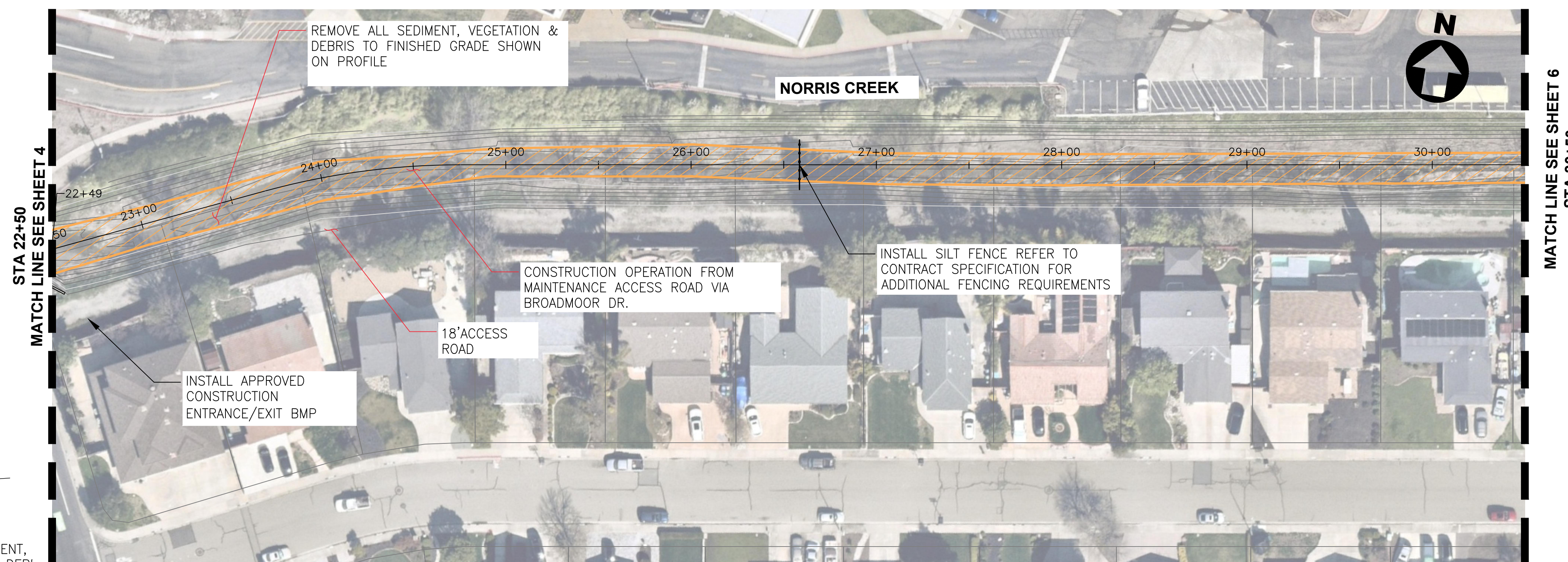
REVISIONS

DATE

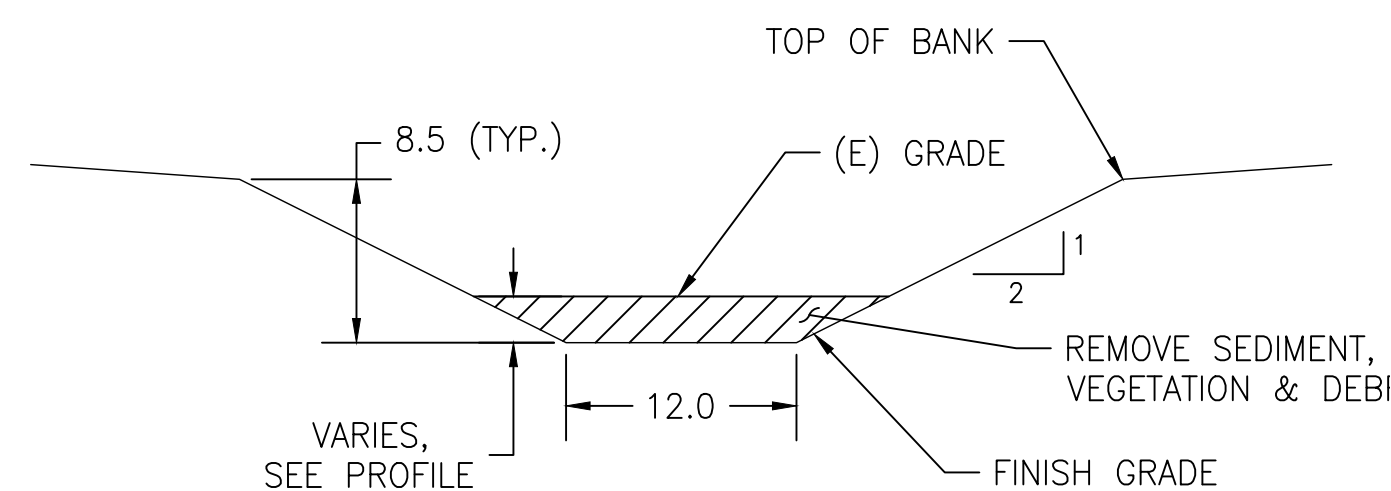
NOTES:
 PROTECT ALL EXISTING TREES, UNLESS OTHERWISE NOTED.
 PROTECT INBOARD DRAINAGE SWALE.
 ALL WORK TO BE COMPLETED IN ACCORDANCE WITH APPROVED PERMITS.



PROFILE
 SCALE: HORIZ. 1" = 40' / VERT. 1" = 5'



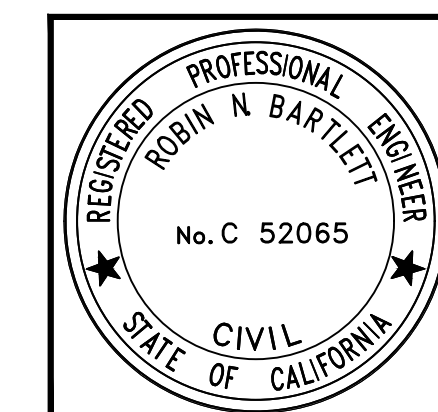
PLAN
 SCALE: HORIZ. 1" = 40'



**TYPICAL SECTION
 D/S OF BROADMOOR DR**
 SCALE: 1" = 10'

DESIGNED: VS	VS	NO.	REVISIONS	DATE
DRAWN: VS	VS			
APPROVED: RNB	RNB			
CITY OF SAN RAMON ENGINEERING SERVICES DEPARTMENT 7000 BOLLINGER CANYON ROAD SAN RAMON, CALIFORNIA				

**NORRIS CREEK SEDIMENT REMOVAL
 PLAN, PROFILE & TYPICAL SECTION**
2023 NORRIS CREEK SEDIMENT REMOVAL

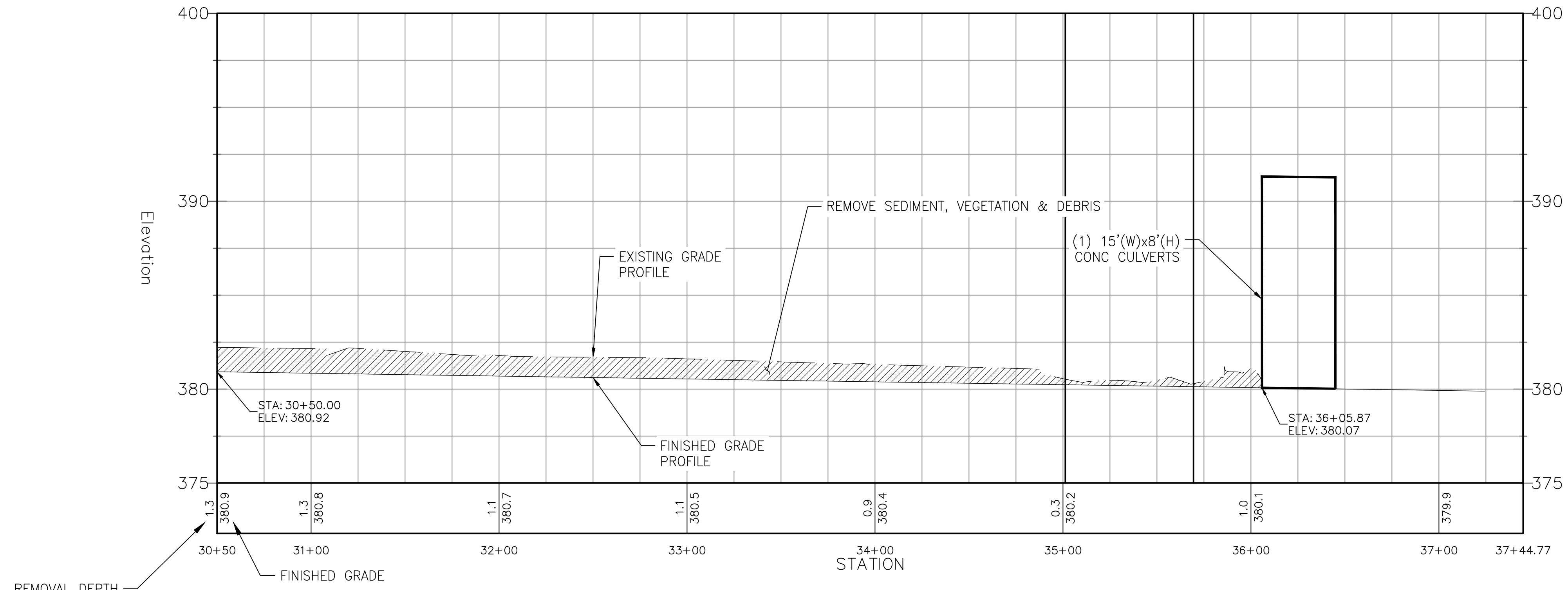


TITLE:
SHEET
5 of 6

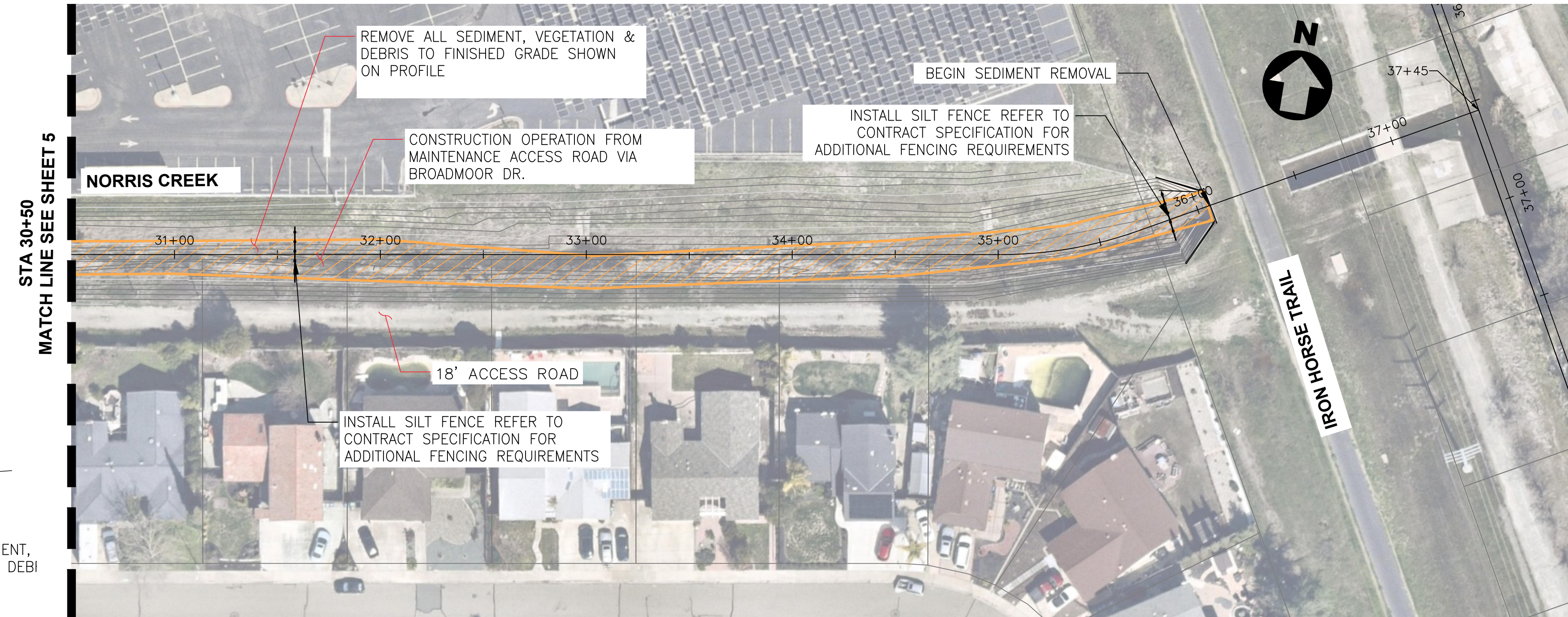
BID SET

CIP#: 100001A

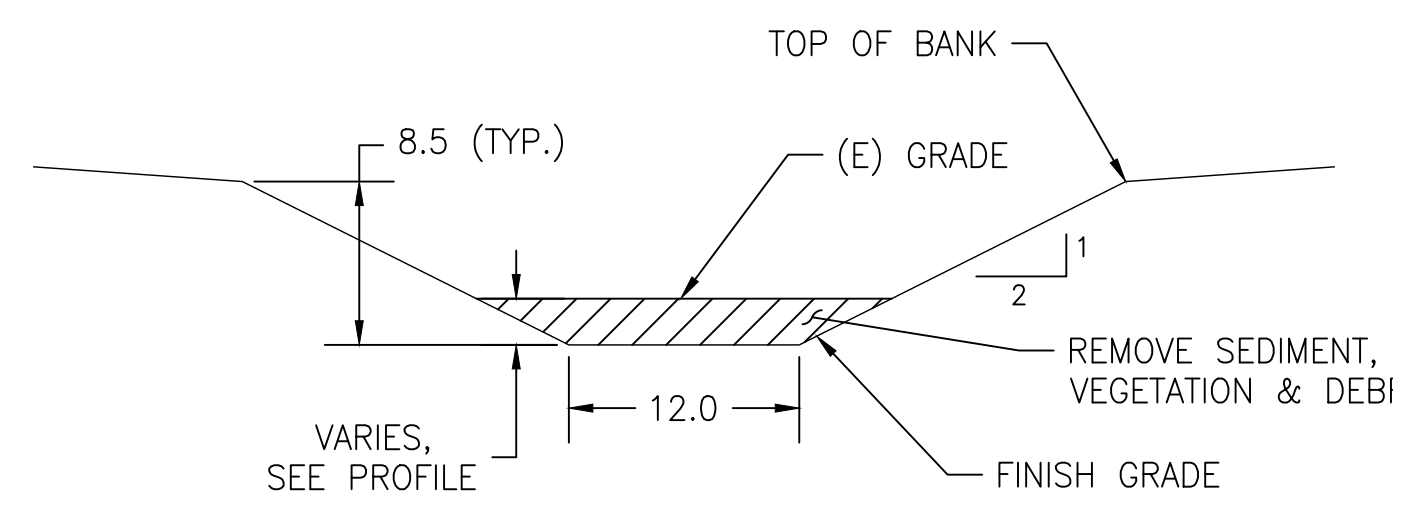
NOTES:
 1. PROTECT ALL EXISTING TREES, UNLESS OTHERWISE NOTED. PROTECT INBOARD DRAINAGE SWALE.
 ALL WORK TO BE COMPLETED IN ACCORDANCE WITH APPROVED PERMITS.



PROFILE
 SCALE: HORIZ. 1" = 40' / VERT. 1" = 5'



PLAN
 SCALE: HORIZ. 1" = 40'



**TYPICAL SECTION
 D/S OF BROADMOOR DR**
 SCALE: 1" = 10'

DESIGNED: VS	VS	NO.	REVISIONS	DATE
DRAWN: VS	VS	NO.		
APPROVED: RNB	RNB	NO.		

CITY OF SAN RAMON
 ENGINEERING SERVICES DEPARTMENT
 7000 BOLLINGER CANYON ROAD
 SAN RAMON, CALIFORNIA

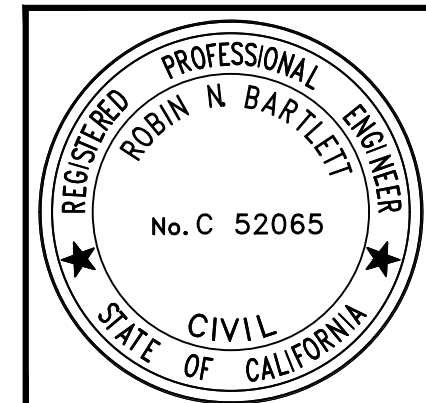
**NORRIS CREEK SEDIMENT REMOVAL
 PLAN, PROFILE & TYPICAL SECTION**

2023 NORRIS CREEK SEDIMENT REMOVAL

TITLE: _____

SHEET
 6 of 6

CIP#: 100001A



BID SET

G:\PROGRAMS\CIP\CIP 5545 Citywide Drainage Removal\2023 Norris-SSR-CC-Z Channel\Norris Creek_XSections.dwg @ 03:01:54 PM